

CHURCH & CO.

Farmhouse style sinks crafted of durable fireclay; Church and Co.'s farmhouse sinks are inspired by vintage farmhouse sinks that create a distinctive look for any kitchen. With extra deep basins for hiding dishes and an antibacterial surface that requires minimal cleaning, their timeless look will enhance any kitchen. Both beautiful and sturdy, Church and Co.'s

Sinks are handcrafted and made of a unique clay capable of being fired at extremely high temperatures (above 2200 degrees Fahrenheit), making them lustrous with a resilient surface that is shock-resistant and will withstand heavy use over time. Fireclay is scratch, stain, and chip-resistant, and it will not rust, fade or discolor, providing beauty and durability.

Pre-Installation

Church and Co.'s recommends that a professional installer be used. The sink may have slight variations in dimensions due to the firing process and the fact that each sink is hand-made. Be sure to provide enough counter space for the faucet, water supply lines, drain assembly, garbage disposal mounting system and structural parts of cabinet. When installing a garbage disposal, we strongly recommend NOT TO OVER TIGHTEN when attaching to the sink. All installation procedures must comply in strict accordance with applicable local plumbing and building code.

Care & Maintenance

Church and Co.'s fireclay sinks are designed to last a lifetime. Our search for excellence gave us the opportunity to create a product that would sustain many years of use in your kitchen. We know that from time to time accidents may occur.

Our sink's unique properties give our glaze a great resistance to impact and scratches, while still allowing for easy removal of most hard stains, such as tea, coffee, or red wine. We strongly recommend NOT TO USE harsh abrasives, such as scouring liquids or powder, highly concentrated drain cleaners, caustic cleaners containing alkalis, cleaners for tap fittings and steel, scouring pads, steel wool, paint removers, oven cleaners, or aggressive chemical solutions to clean sink surfaces.

Installation Options

Apron Front

Under-Mount Installation



Under-mount Installation

Flush-Mount Installation



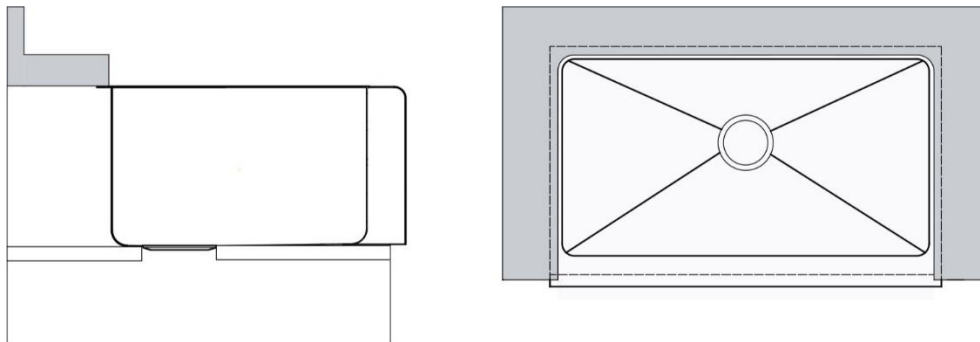
Flush-mount Installation

Built-Up Installation



Built-up Installation

Due to +/-2% dimensions, it is recommended that the cabinet maker waits until the sink is delivered to make the cabinet.



The typical undermount installation using a 1/4" reveal is recommended.



CAUTION:

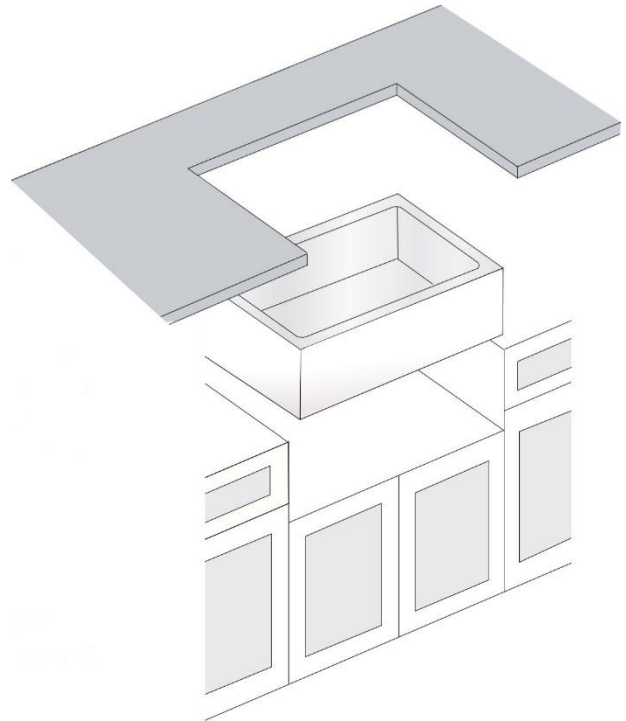
All installation types need to allow room for faucet installation. Ensure adequate clearance behind the sink for any faucet and backsplash, as well as full range of motion for faucet spouts and handles. Undermount sinks require that your countertop is fabricated to exacting standards and the sink be installed using meticulous procedures. For these reasons, we suggest you leave the installation to a seasoned professional.

1. Prepare the Sink Base Cabinet:

Church and Co. Fireclay sinks offer different installation options depending on your design. Fireclay sinks require custom ordered cabinets with a front cutout to accommodate a 10" deep sink. You will need to build a plywood platform on a support frame inside of the sink base cabinet. This platform must be able to support the weight of the sink and any attachments such as garbage disposals. When the sink is placed onto a platform, make sure the top of the sink is evenly flush against the bottom of the countertop. Allow clearance for water supply line and drains or garbage disposal, as necessary.

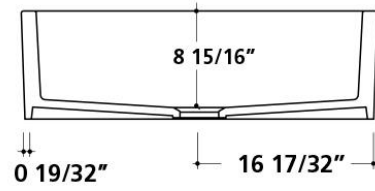
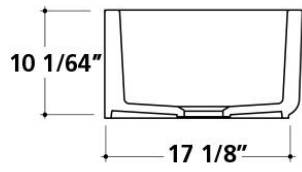
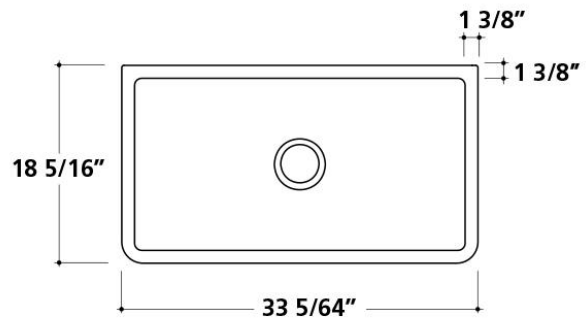
2. Make a Template and Cutout:

Depending on the installation option that you choose you will need to make proper cutout of the countertop. Church and Co. recommends a 1/4" reveal on 3 sides when using the undermount install. For a flush mount or built up installation, cut the countertop along with outside line of the sink profile. Front end of Church and Co. Fireclay sinks are designed to be installed with a 3/4" extension beyond the front end of the countertop. Cut countertop accordingly. No template is provided due to the custom nature of each application and installation. The actual sink is used as the template guide for each installation. After centering the sink and allowing for any faucets and backsplashes, use a pencil to outline the sink as your guide for the cutout, allowing for any reveal before the actual cutting.



3. Set the Sink:

Set the sink on top of the cabinet or into the cabinet front cutout. Apply sealant if necessary, as a gasket between the sink and cabinet. 4. Install the Countertop: Carefully clean bottom of countertop and top flange of sink with denatured alcohol. Apply a bead of silicone adhesive (not supplied) around the top edge of the sink. Place countertop onto the sink. Remove excess sealant from the lip or any surfaces with a cleaner recommended by manufacturer of adhesive sealant.



Lifetime Limited Warranty:

Church and Co. will replace, without charge, any fireclay sink that is proven defective with an equivalent replacement for the life of your sink with the original proof of purchase, provided it has been used solely in a residential application and has been properly cleaned and maintained as recommended by the manufacturer. Damage due to abuse, misuse, or negligence will void your warranty. This warranty is not transferable and will not cover any damages caused by the installer, user, or owner. Church and Co. reserves the right to inspect any sink reported to be defective prior to the replacement of the sink; all decisions are final. Replacement cost EXCLUDES transportation and any labor costs for removal or re-installation. Church and Co. shall not be liable in case of improper installation, damages resulting from abuse, such as heavy impact or dropped objects, improper care or maintenance, improper applications (such as exposure to corrosive chemicals, photographic solutions, etc.), any modifications made to the product, or use in a commercial application.

Church and Co. WILL NOT BE LIABLE FOR ANY OTHER DAMAGES OR LOSSES, INCLUDING WITHOUT LIMITATION CONSEQUENTIAL DAMAGES, EVEN IF THE POSSIBILITY OF SUCH LOSSES WAS KNOWN OR FORESEEABLE.

If you would like to make a warranty claim, you may contact us as follows: Email: admin@churchmanufacturing.com or by Phone: 904-310-6551